

# Technical data sheet

## Product features



### Display unit chilled GN 6-1/1 - 30 mm drop-in

<b>Model</b>	<b>SAP Code</b>	00012071
--------------	-----------------	----------



- Buffet type: LIME - chilled, static cooling, shallow
- Device properties: Chilled
- Number of GN / EN: 6
- GN / EN size in device: GN 1/1
- GN device depth: 30
- Minimum device temperature [°C]: 4
- Maximum device temperature [°C]: 8

<b>SAP Code</b>	00012071	<b>Loading</b>	230 V / 1N - 50 Hz
<b>Net Width [mm]</b>	2144	<b>Number of GN / EN</b>	6
<b>Net Depth [mm]</b>	650	<b>GN / EN size in device</b>	GN 1/1
<b>Net Height [mm]</b>	100	<b>GN device depth</b>	30
<b>Net Weight [kg]</b>	61.00	<b>Minimum device temperature [°C]</b>	4
<b>Power electric [kW]</b>	0.247	<b>Maximum device temperature [°C]</b>	8

# Technical data sheet

Technical drawing



Display unit chilled GN 6-1/1 - 30 mm drop-in

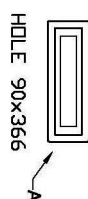
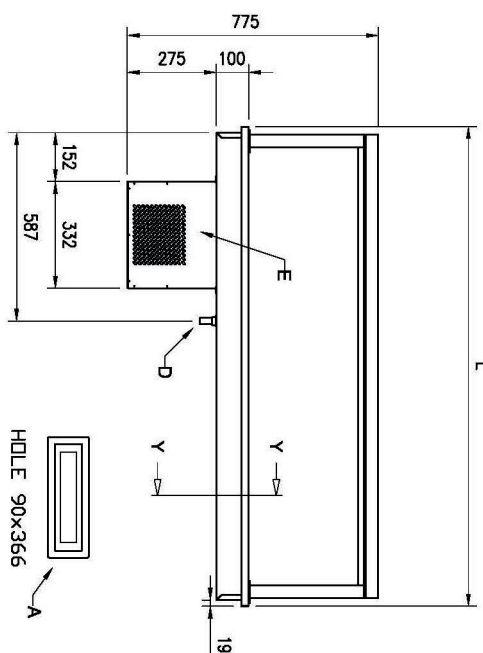
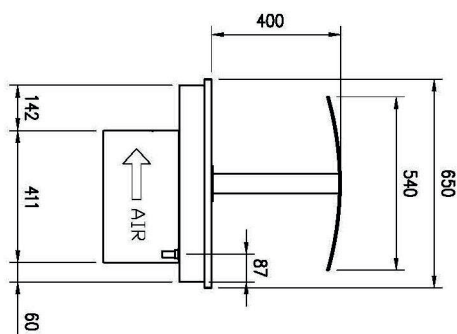
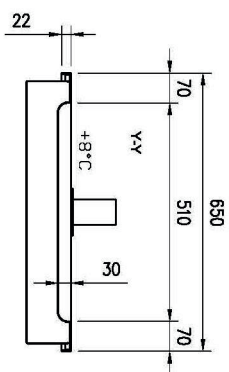
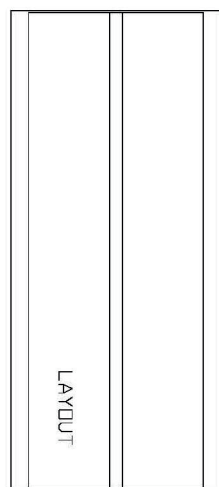
Model

SAP Code

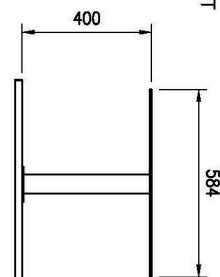
00012071

A= ELECTRICAL CONNECTION  
 D= WATER DISCHARGE Ø16  
 E= GAS CONNECTION Ø6  
 F= WATER BOX

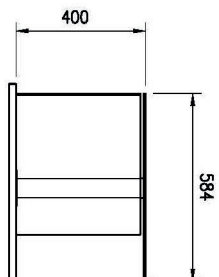
GN	L	HOLE
2/1	844	814x620
3/1	1169	1139x620
4/1	1494	1464x620
5/1	1819	1789x620
6/1	2144	2114x620



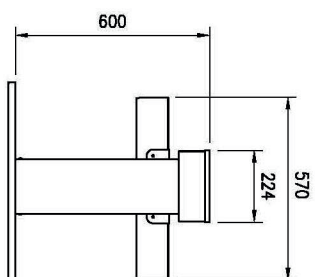
FLAT



SERVICE



TRADITION



# Technical data sheet

## Product benefits



### Display unit chilled GN 6-1/1 - 30 mm drop-in

Model

SAP Code

00012071

1

#### **Built-in**

the possibility to plant in a dispensing block design

- unified design of the dispensing line
- a luxurious look that customers appreciate

2

#### **Static cooling**

simultaneous use of direct injection and boiler, maintenance of 100% humidity, or its regulation

- less drying of food
- more economical

3

#### **Depth 30mm**

the possibility of placing plates and trays

- variability of use

4

#### **Rounded corners**

basins without sharp edges and corners

- higher hygienic safety
- time saving due to easy cleaning

5

#### **Removable evaporator filter**

basins without sharp edges and corners

- time saving for cleaning

6

#### **All-stainless steel construction**

harmless to health for contact with food  
robustness

- long service life
- very easy to clean

# Technical data sheet

Technical parameters



## Display unit chilled GN 6-1/1 - 30 mm drop-in

**Model**

**SAP Code**

00012071

**1. SAP Code:**

00012071

**2. Net Width [mm]:**

2144

**3. Net Depth [mm]:**

650

**4. Net Height [mm]:**

100

**5. Net Weight [kg]:**

61.00

**6. Gross Width [mm]:**

2208

**7. Gross depth [mm]:**

714

**8. Gross Height [mm]:**

110

**9. Gross Weight [kg]:**

73.50

**10. Device type:**

Electric unit

**11. Material:**

AISI 304

**12. Buffet type:**

LIME - chilled, static cooling, shallow

**13. Device properties:**

Chilled

**14. Device color:**

Stainless steel

**15. Power electric [kW]:**

0.247

**16. Loading:**

230 V / 1N - 50 Hz

**17. Number of GN / EN:**

6

**18. GN / EN size in device:**

GN 1/1

**19. GN device depth:**

30

**20. Minimum device temperature [°C]:**

4

**21. Maximum device temperature [°C]:**

8